

## Under development

\* This product is under development and may change at a later date.

Overcurrent protection with timer latch function

### DESCRIPTION

RT8H010C is a composite transistor composed of NPN transistor, PNP transistor and resistor.

This product enables the miniaturization of the set and a significant reduction in parts and man-hours.

RT8H020C constitutes a circuit for detecting over current and over voltage, and if one of them detects an error, it outputs an abnormal signal(Low).

### FEATURES

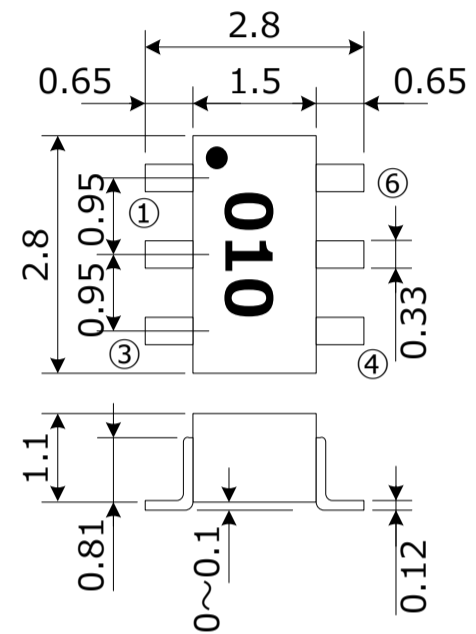
- Miniaturization of a set
- Built-in hysteresis(over current protection only)

### APPLICATION

- Over current and over voltage protection of general electronics equipment

### OUTLINE DRAWING

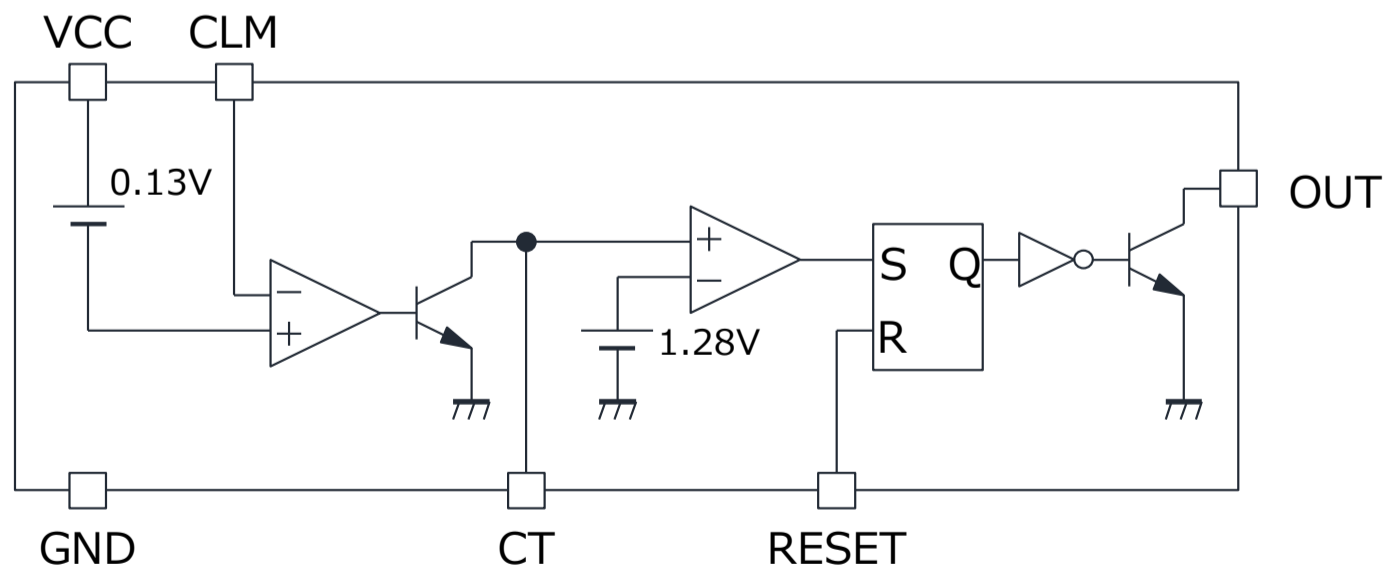
unit : mm



### PIN layout

- |      |        |
|------|--------|
| ①OUT | ⑥RESET |
| ②VCC | ⑤GND   |
| ③CT  | ④CLM   |

### BLOCK DIAGRAM



# *Under development*

\* This product is under development and may change at a later date.

Overcurrent protection with timer latch function

ABSOLUTE MAXIMUM RATINGS (Ta=25°C unless otherwise noted.)

symbol	Parameter	Condition	Ratings	Unit
VCC	Power supply voltage		15	V
pd	Internal power dissipation		200	mW
K $\theta$	Thermal derating	Ta $\geq$ 25°C	1.6	mW/°C
Tj	Junction temperature		150	°C
Tstg	Storage temperature	keep dry	-40~150	°C
Topr	Operating temperature	keep dry	-20~85	°C

ELECTRICAL CHARACTERISTIC (Ta=25°C,VCC=12V unless otherwise noted.)

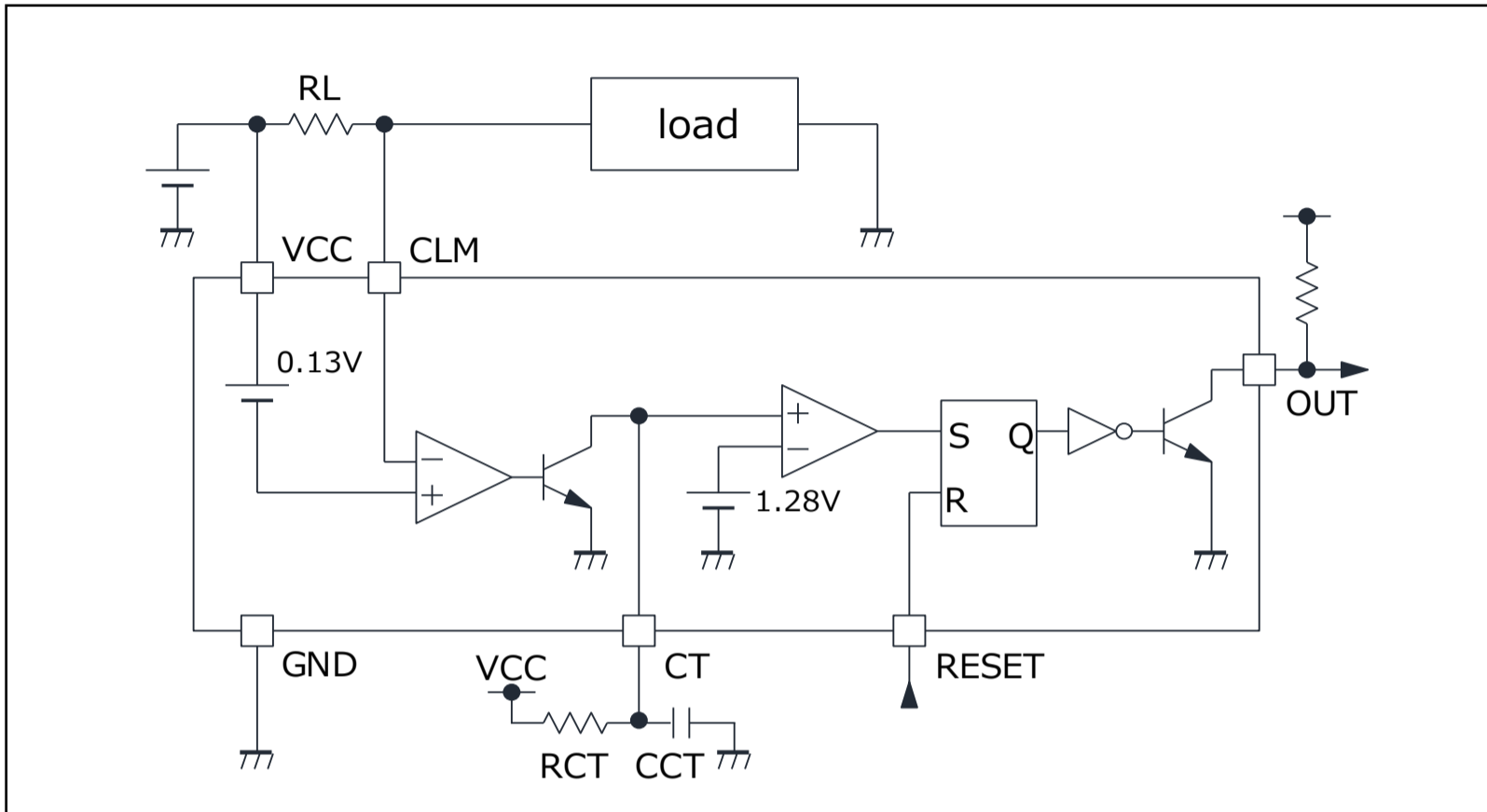
symbol	Parameter	Test condition	Limits			Unit
			Min.	Typ.	Max.	
Vcc	Operating supply voltage range		3	12	14	V
ICC	Circuit current			530		uA
Vth_CLM	CLM terminal threshold			0.13		V
Vth_CT	CT terminal threshold voltage			1.28		V
Vth_RESET	RESET terminal threshold voltage			1.35		V
VOUT	OUT terminal saturation voltage	IOUT=10mA		0.35		V

# *Under development*

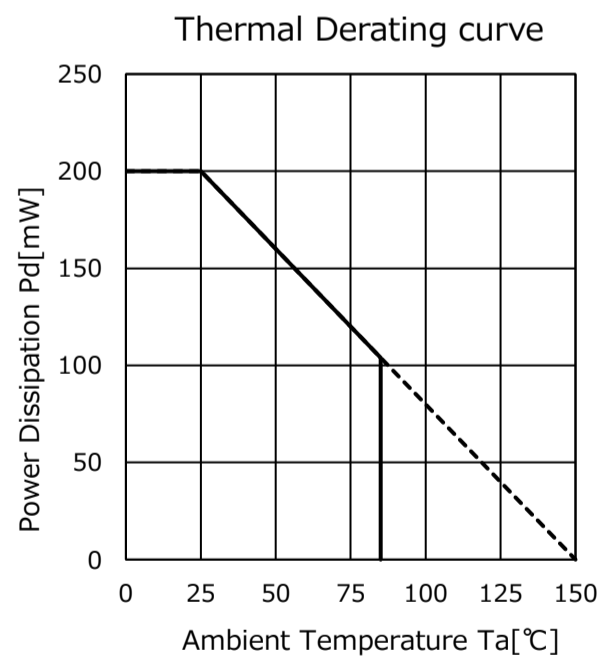
\* This product is under development and may change at a later date.

Overcurrent protection with timer latch function

## APPLICATION CIRCUIT EXAMPLES



## «Typical Characteristic»



---

**Keep safety first in your circuit designs!**

·ISAHAYA Electronics Corporation puts the maximum effort into making semiconductor products better and more reliable, but there is always the possibility that trouble may occur with them. Trouble with semiconductors may lead to personal injury, fire or property damage. Remember to give due consideration to safety when making your circuit designs, with appropriate measures such as (1) placement of substitutive, auxiliary, (2) use of non-flammable material or (3) prevention against any malfunction or mishap.

**Notes regarding these materials**

- These materials are intended as a reference to our customers in the selection of the ISAHAYA products best suited to the customer's application; they don't convey any license under any intellectual property rights, or any other rights, belonging ISAHAYA or third party.
- ISAHAYA Electronics Corporation assumes no responsibility for any damage, or infringement of any third party's rights, originating in the use of any product data, diagrams, charts or circuit application examples contained in these materials.
- All information contained in these materials, including product data, diagrams and charts, represent information on products at the time of publication of these materials, and are subject to change by ISAHAYA Electronics Corporation without notice due to product improvements or other reasons. It is therefore recommended that customers contact ISAHAYA Electronics Corporation or an authorized ISAHAYA products distributor for the latest product information before purchasing product listed herein.
- ISAHAYA Electronics Corporation products are not designed or manufactured for use in a device or system that is used under circumstances in which human life is potentially at stake. Please contact ISAHAYA Electronics Corporation or an authorized ISAHAYA products distributor when considering the use of a product contained herein for any specific purposes, such as apparatus or systems for transportation, vehicular, medical, aerospace, nuclear, or undersea repeater use.
- The prior written approval of ISAHAYA Electronics Corporation is necessary to reprint or reproduce in whole or in part these materials.
- If these products or technologies are subject to the Japanese export control restrictions, they must be exported under a license from the Japanese government and cannot be imported into a country other than the approved destination. Any diversion or re-export contrary to the export control laws and regulations of Japan and/or the country of destination is prohibited.
- Please contact ISAHAYA Electronics Corporation or authorized ISAHAYA products distributor for further details on these materials or the products contained therein.