

RT8H112C

UVLO built-in IGBT gate driver with Power cut circuit

DESCRIPTION

RT8H112C is combined transistor composed by NPN transistors, PNP transistors and resistors.

Miniaturization of the set, and significant reductions of parts and person-hours will be possible by using this transistor.

RT8H112C has a built-in UVLO circuit, and starts operation when the power supply voltage becomes about 16V or more, and stops operation when it becomes 14V or less. It has a circuit configuration as an IGBT driver, and when applying from Low to High to the GATEIN terminal, when the voltage becomes about 2.7V or more, the B terminal outputs a Low signal.

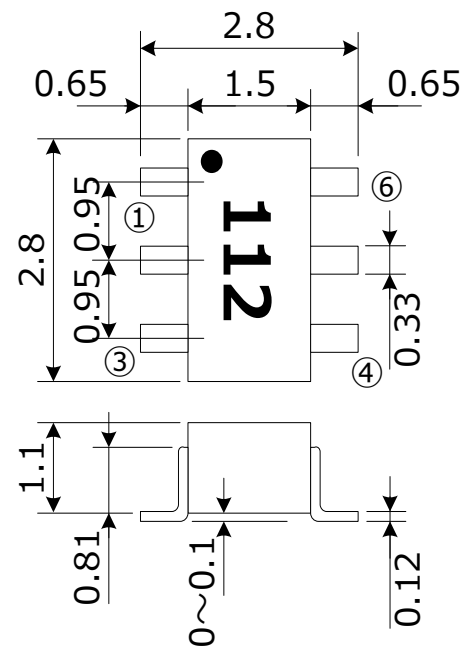
When High to Low is applied to the GATEIN terminal, when the voltage becomes about 2.5V or less, B terminal outputs a High signal.

FEATURES

- Miniaturization of a set
- Built-in UVLO(Ideal for 20V systems)
- Since the output is constant current, the IGBT can be operated safely
- Built-in power cut circuit (IC_{Coff} = 0 during power cut)

OUTLINE DRAWING

unit : mm



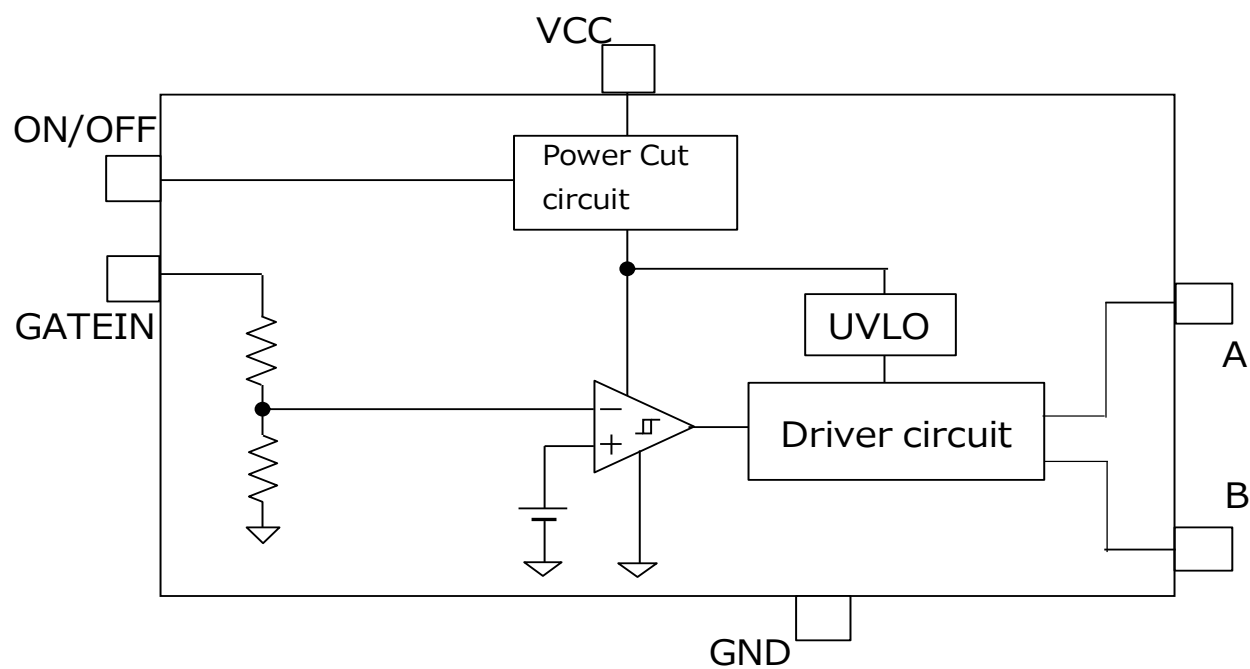
PIN layout

- | | |
|------|---------|
| ①A | ⑥ON/OFF |
| ②B | ⑤GND |
| ③VCC | ④GATEIN |

APPLICATION

- IGBT gate driver

BLOCK DIAGRAM



UVLO built-in IGBT gate driver with Power cut circuit

ABSOLUTE MAXIMUM RATINGS (Ta=25°C unless otherwise noted.)

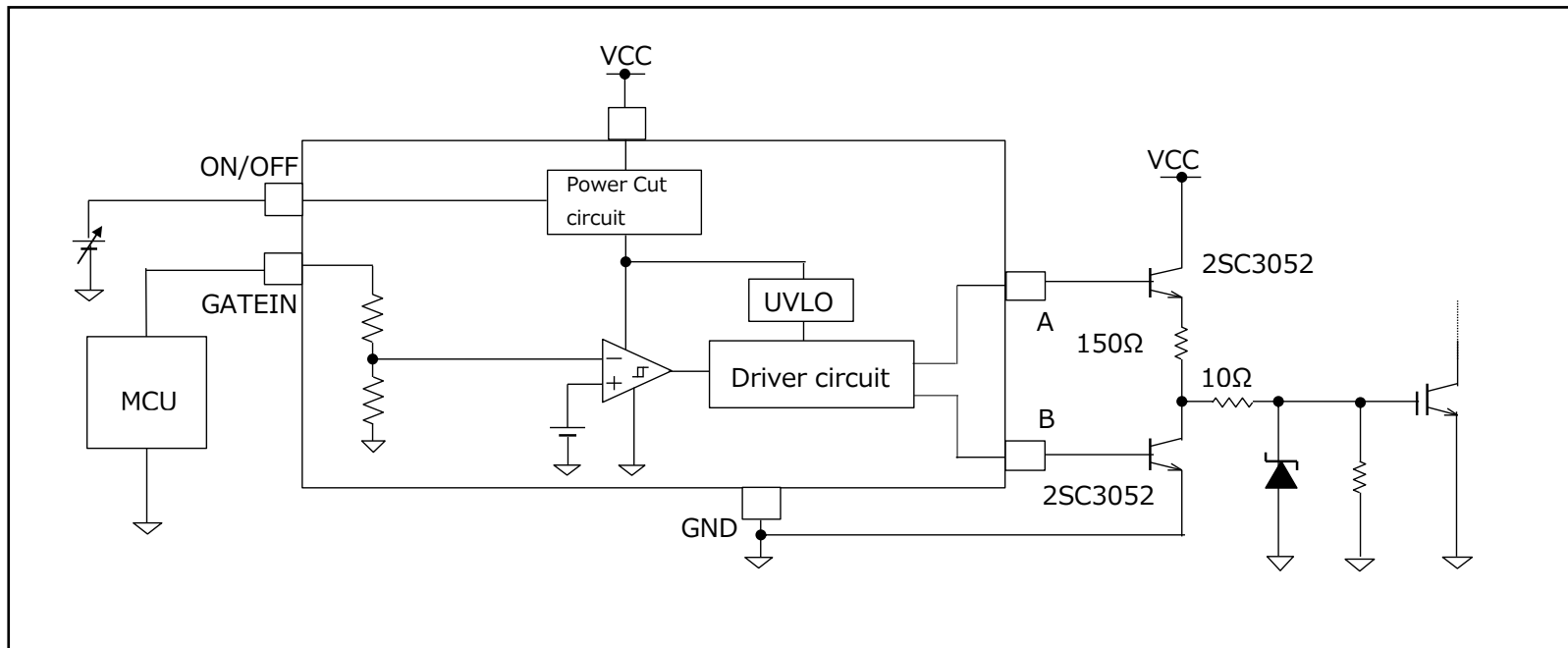
Symbol	Parameter	Condition	Ratings	Unit
Vcc	Power supply voltage		30	V
VGIN	GATE IN terminal input applied voltage		-0.3~10	V
VON/OFF	ON/OFF terminal input applied voltage		-0.3~10	V
Pd	Internal power dissipation		200	mW
Kθ	Thermal derating	Ta≥25°C	1.6	mW/°C
Tj	Junction temperature		150	°C
Tstg	Storage temperature	keep dry	-40~150	°C
Topr	Operating temperature	keep dry	-20~85	°C

ELECTRICAL CHARACTERISTIC (Ta=25°C, VCC=20V, VON/OFF=5V unless otherwise noted.)

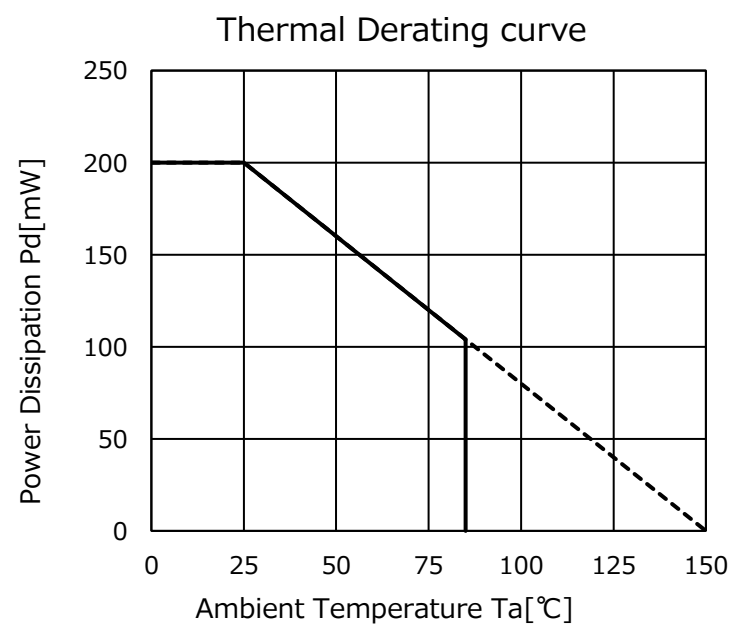
Symbol	Parameter	Test condition	Limits			Unit
			Min.	Typ.	Max.	
VCC	Operating supply voltage range		18	20	26	V
VCTH1	Operation start voltage	GATEIN=5V, VMB:High→Low	15.0	16.1	17.2	V
VCTH2	Operation stop voltage	GATEIN=5V, VMB:Low→High	13.0	14.0	15.0	V
ICCOFF	Circuit current (During power cut)	VON/OFF = 0 V	-	0	1	uA
ICC1	Circuit current1	GATEIN=0V	0.91	1.30	1.69	mA
ICC2	Circuit current2	GATEIN=5V	0.92	1.31	1.70	mA
VOA2	Output voltage A2	GATEIN=5V Pull-down resistor(to A terminal):1MΩ	16.2	18.6	20.0	V
VOB2	Output voltage B2	GATEIN=5V Pull-down resistor(to A terminal):1MΩ	-	0.07	0.28	V
Vth0	Threshold voltage 1 (Low→High)	GATEIN=0V, VMB:Low→High	0.50	0.85	1.20	V
Vth1	Threshold voltage 1 (Low→High)	GATEIN : 0→5V, VMB : High→Low	2.62	2.78	2.93	V
Vth2	Threshold voltage 2 (High→Low)	GATEIN : 5V→0, VMB : Low→High	2.34	2.48	2.62	V
IOUTA1	Output A outflow current 1	GATEIN=0V, A=B=0.7V IMA	-	0	1	uA
IOUTA2	Output A outflow current 2	GATEIN=5V, A=18V IMA	-1.50	-1.15	-0.80	mA
IINB	Output B inflow current	GATEIN=5V, B=0.3V IMB	870	1250	1620	uA
IOUTB	Output B outflow current	GATEIN=0V, B=0.7V IMB	-2.25	-1.73	-1.21	mA

UVLO built-in IGBT gate driver with Power cut circuit

APPLICATION CIRCUIT



«Typical Characteristic»



Keep safety first in your circuit designs!

·ISAHAYA Electronics Corporation puts the maximum effort into making semiconductor products better and more reliable, but there is always the possibility that trouble may occur with them. Trouble with semiconductors may lead to personal injury, fire or property damage. Remember to give due consideration to safety when making your circuit designs, with appropriate measures such as (1) placement of substitutive, auxiliary, (2) use of non-flammable material or (3) prevention against any malfunction or mishap.

Notes regarding these materials

- These materials are intended as a reference to our customers in the selection of the ISAHAYA products best suited to the customer's application; they don't convey any license under any intellectual property rights, or any other rights, belonging ISAHAYA or third party.
- ISAHAYA Electronics Corporation assumes no responsibility for any damage, or infringement of any third party's rights, originating in the use of any product data, diagrams, charts or circuit application examples contained in these materials.
- All information contained in these materials, including product data, diagrams and charts, represent information on products at the time of publication of these materials, and are subject to change by ISAHAYA Electronics Corporation without notice due to product improvements or other reasons. It is therefore recommended that customers contact ISAHAYA Electronics Corporation or an authorized ISAHAYA products distributor for the latest product information before purchasing product listed herein.
- ISAHAYA Electronics Corporation products are not designed or manufactured for use in a device or system that is used under circumstances in which human life is potentially at stake. Please contact ISAHAYA Electronics Corporation or an authorized ISAHAYA products distributor when considering the use of a product contained herein for any specific purposes, such as apparatus or systems for transportation, vehicular, medical, aerospace, nuclear, or undersea repeater use.
- The prior written approval of ISAHAYA Electronics Corporation is necessary to reprint or reproduce in whole or in part these materials.
- If these products or technologies are subject to the Japanese export control restrictions, they must be exported under a license from the Japanese government and cannot be imported into a country other than the approved destination. Any diversion or re-export contrary to the export control laws and regulations of Japan and/or the country of destination is prohibited.
- Please contact ISAHAYA Electronics Corporation or authorized ISAHAYA products distributor for further details on these materials or the products contained therein.