

MICRO(TO-92S) type taping specification

1. Taping specifications

All models of MICRO(TO-92S) package product is wrapped to tape.

As for the taping, radial tape is used. The tape shall be folded and then packaged in a box

For more information about taping dimensions, please refer to figure 1. tape shape and dimensions.

About specifications of accordion type and dimensions of box , please refer to figure 2.

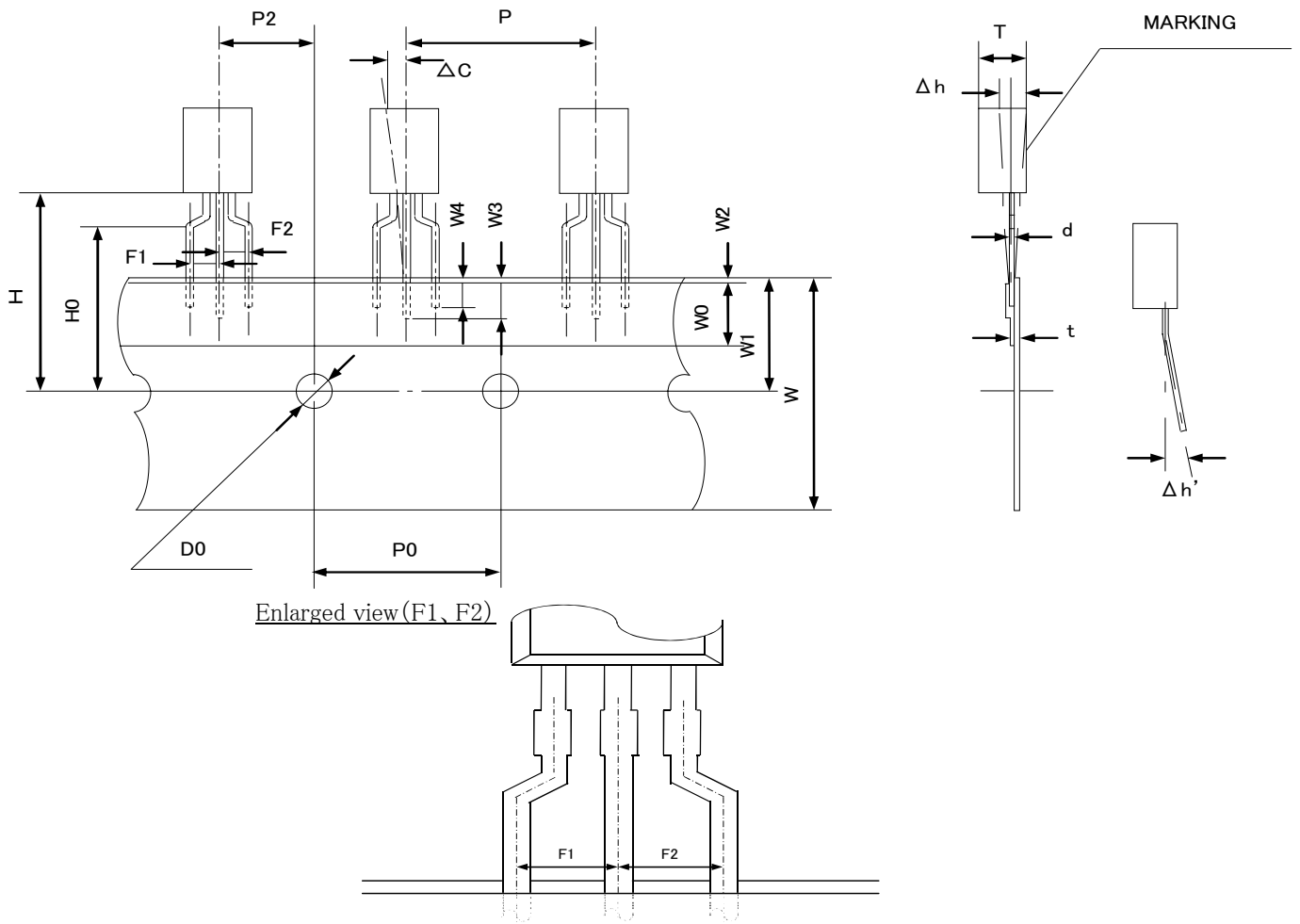
It is not coped about the rose product now.

2. Ordering unit

It is wrapped 2,500 by one reel.

Please inquire for the other packing specifications.

figure 1. tape shape and dimensions.

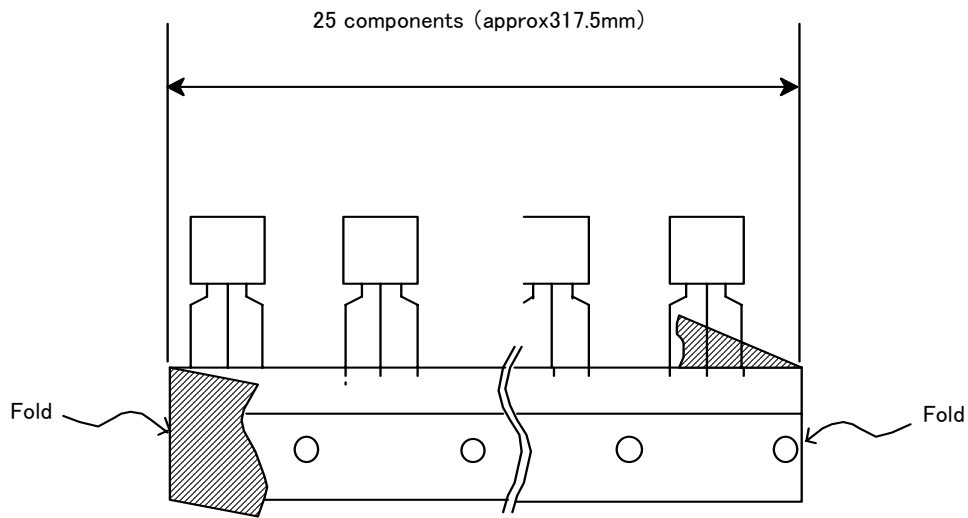


Unit: mm

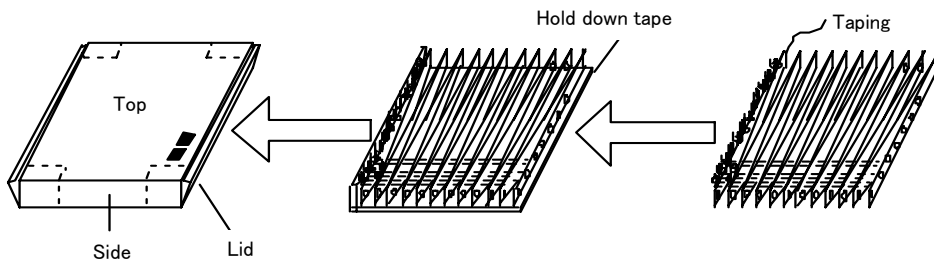
Item	Symbol	Dimensions Angle
Component thickness	T	2.5 $\begin{smallmatrix} +0.1 \\ -0.1 \end{smallmatrix}$
Lead diameter	d	0.4 $\begin{smallmatrix} +0.05 \\ -0.05 \end{smallmatrix}$
Inserted lead length(1)	W3	2.5 MIN
Inserted lead length (2)	W4	2.0 MIN
Component pitch	P	12.7 $\begin{smallmatrix} +1.0 \\ -1.0 \end{smallmatrix}$
Sprocket hole pitch	P0	12.7 $\begin{smallmatrix} +0.3 \\ -0.3 \end{smallmatrix}$
Sprocket hole location(1)	P2	6.35 $\begin{smallmatrix} +0.5 \\ -0.5 \end{smallmatrix}$
Lead spacing	F1, F2	2.5 $\begin{smallmatrix} +0.4 \\ -0.4 \end{smallmatrix}$
Component inclination (1)	Δh	0 $\begin{smallmatrix} +1.0 \\ -1.0 \end{smallmatrix}$
Carrier tape width	W	18.0 $\begin{smallmatrix} +1.0 \\ -0.5 \end{smallmatrix}$
Hold-down tape width	W0	6.0 $\begin{smallmatrix} +0.5 \\ -0.5 \end{smallmatrix}$
Sprocket hole location (2)	W1	9.0 $\begin{smallmatrix} +0.75 \\ -0.50 \end{smallmatrix}$
Tape misalignment	W2	0.5 MAX
Component package bottom height	H	19.5 MIN
Lead clinch height	H0	16.0 $\begin{smallmatrix} +0.5 \\ -0.5 \end{smallmatrix}$
Sprocket hole diameter	D0	4.0 $\begin{smallmatrix} +0.2 \\ -0.2 \end{smallmatrix}$
Component inclination (2)	ΔC	0 $\begin{smallmatrix} +1.0 \\ -1.0 \end{smallmatrix}$
Lead form	$\Delta h'$	0 $\begin{smallmatrix} +1.0 \\ -1.0 \end{smallmatrix}$
Tape thickness	t	0.7 $\begin{smallmatrix} +0.2 \\ -0.2 \end{smallmatrix}$

figure 2. Specifications of accordion type and dimensions of box

(1) Specifications of accordion type



After lead-taping is completed, the tape shall be folded and then packaged in a box, as shown below.



(2) Dimensions of box

