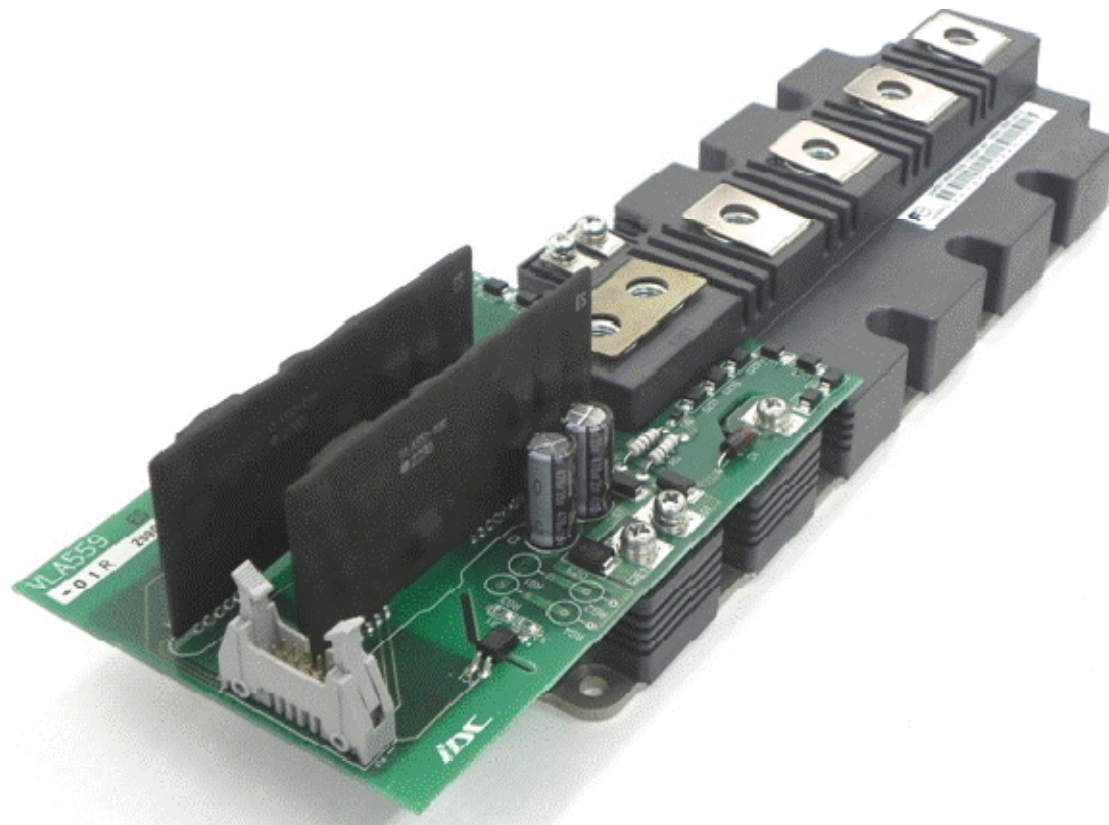


IGBT Gate Drive Unit VLA559-01R/-02R



Aug.2013

IGBT Gate Drive Unit VLA559-01R/-02R

Feature

- >Directly mountable on the Prime PACK
- >Built in the isolated DC-DC converter for gate drive
- >Output peak current is +/-24A(max)
- >Built in short circuit protection with soft shut down
- >Built in collector clamp circuit
- >Electrical isolation voltage is 4000Vrms (for 1 minute)
- >CMOS compatible input interface

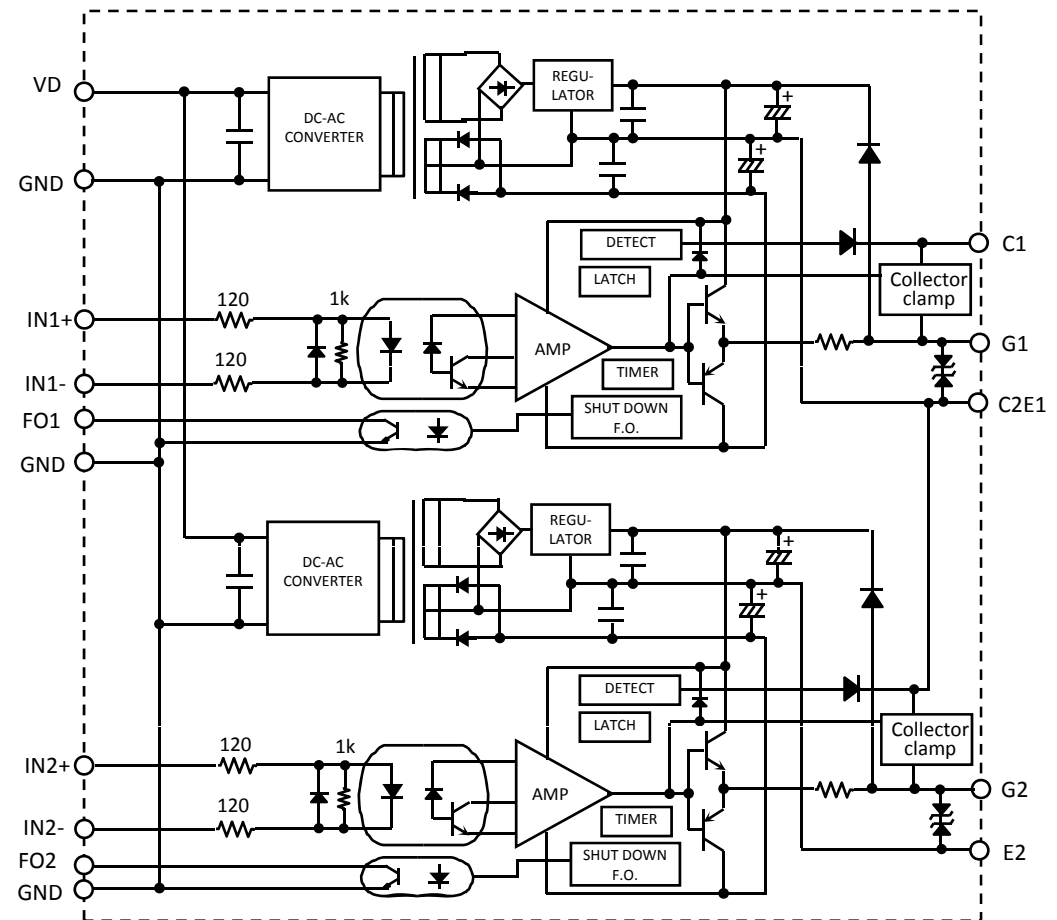
Recommended IGBT Modules

Fuji IGBT module of Prime PACK

VCES:1200V series → VLA559-01R

VCES:1700V series → VLA559-02R

Block Diagram



Maximum ratings (unless otherwise noted, Ta=25C)

Symbol	Parameter	Conditions	Ratings	Unit
VD	Supply voltage	DC	-1 ~ 16.5	V
VI	Input signal voltage	Applied between IN+ and IN- 50% Duty cycle , pulse width 1ms	-7 ~ +7	V
IOHP	Output peak current	Pulse width 3us	-24	A
IOLP			24	A
Viso	Isolation voltage	Sine wave voltage 60Hz, for 1min	4000	Vrms
Topr	Operating temperature	No condensation allowable	-25 ~ 85	deg C
Tstg	Storage temperature	No condensation allowable	-40 ~ 85	deg C
Idrive	Gate drive current	Gate average current (Per one circuit)	210	mA
VDC_Link	Main circuit voltage	The voltage between P and N	860 (-01R)	V
			1200 (-02R)	

Electrical characteristics (unless otherwise noted, Ta=25 degC, VD=15V, f=3kHz)

Symbol	Parameter	Conditions	Limits			Unit
			Min	Typ	Max	
VD	Supply voltage	Recommended range	14.2	15	15.8	V
VIN	Pull-up voltage on input side	Recommended range (for input signal)	4.75	5	5.25	V
IIH	"H" input signal current	Recommended range	10	12	16	mA
f	Switching frequency	Recommended range	-	-	5	kHz
RG	Gate resistance	Recommended range	0.33	-	-	ohm
VOH	Plus bias output voltage	-	14	15.3	16.5	V
VOL	Minus bias output voltage	-	-5.5	-7	-11	V
tPLH	"L-H" propagation time	IIH = 12mA	0.3	-	1	us
tPHL	"H-L" propagation time	IIH = 12mA	0.3	-	1	us
Vz (*1)	Clamp zener voltage	Total zener voltage in collector clamp circuit at Iz = 1mA , Tj=25 deg C	-	970 (-01R)	-	V
			-	1400(-02R)	-	
VSC	SC detect voltage	-	15	-	-	V

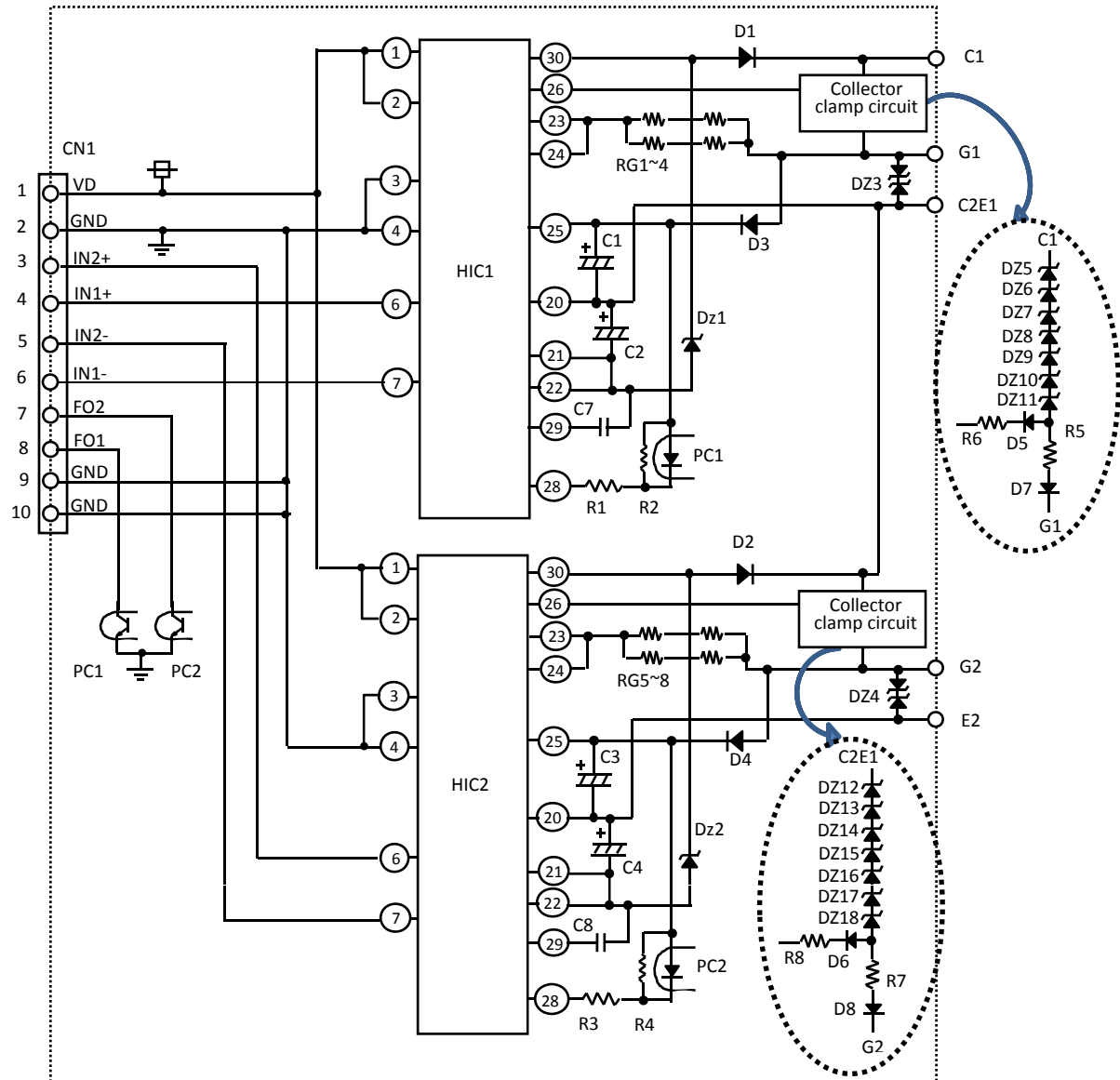
*1 : It depends on the condition of use, but actual clamp voltage of collector rises by 300V from 200V to Vz.

Inner circuit

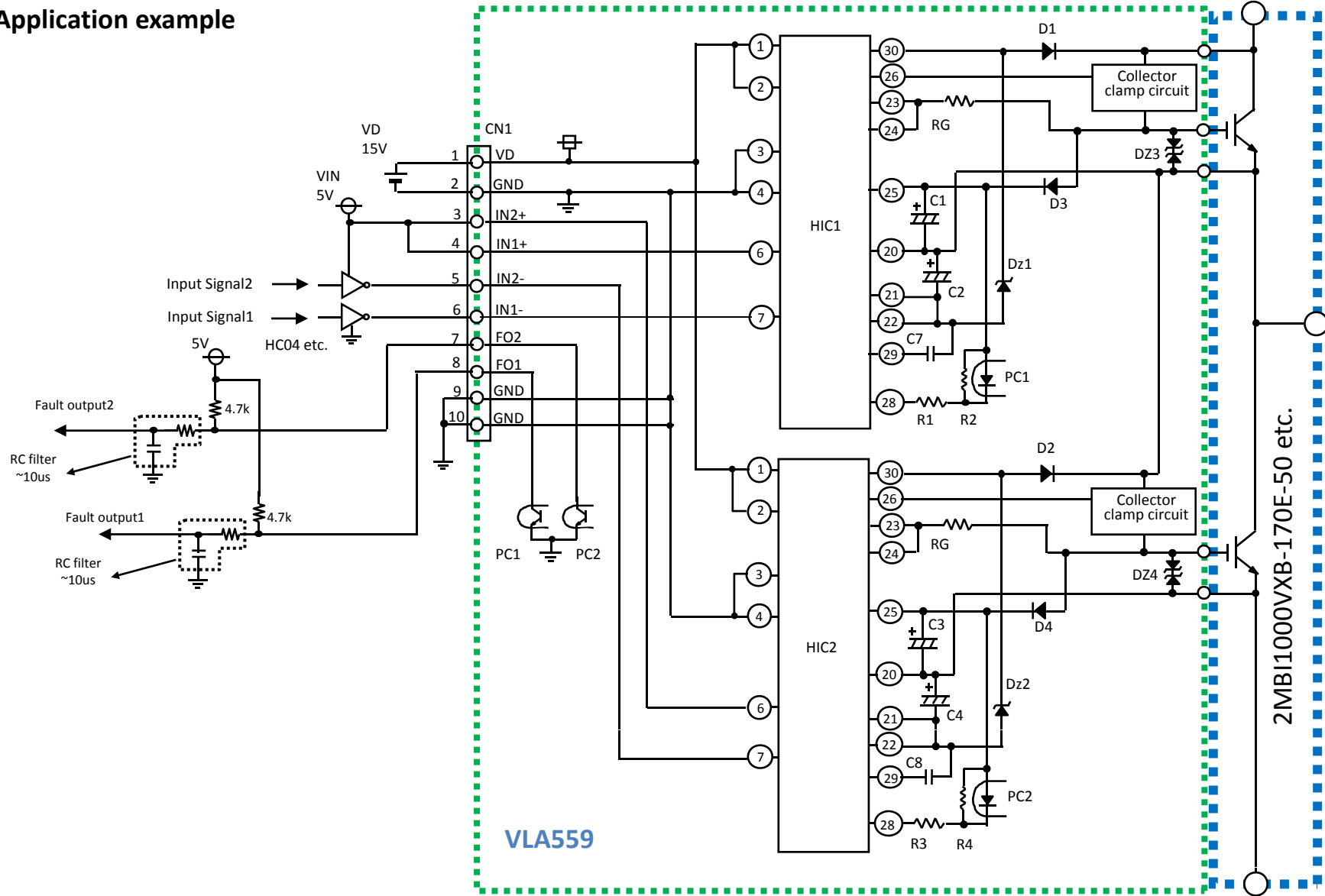
HIC1,2	VLA552	ISAHAYA
PC1,2	TLP781	TOSHIBA
D1,2	RP1H	SanKen
D3,4,7,8	SBD VRM=60V, IFSM >60A class	
D5,6	SBD VRM=60V, IFSM >30A class	
DZ1,2	Vz=30V 1W class	
DZ3,4	Vz=18V Bidirectional,	
C1,2,3,4	470uF,35V Low impedance	
RG	Gate Resistor	
R1,2,3,4	4.7kohm,250mW	
R5,7	1W class	
R6,8	1W class	
CN1	3662-6002LC 3M	
DZ5~11 / 12~18	Total zener voltage	
	970V (at I _z =1mA)	→ -01R
	1400V (at I _z =1mA)	→ -02R

Note

- 1) Gate Resistor is not installed at the time of shipment.
Please solder the chosen resistor.
- 2) C7,8 is not installed at the time of shipment.
Please solder the chosen condenser if needed.
(50V,ceramic)



Application example



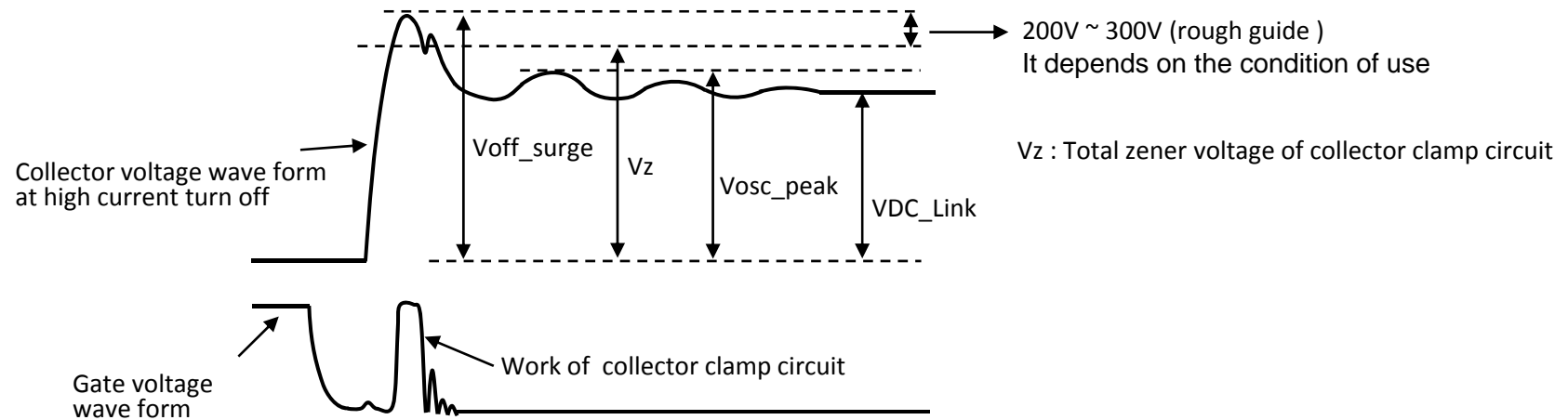
Note about collector clamp circuit (1)

The following chart is the collector voltage wave form of IGBT at high current turn off.
This drive unit has collector clamp circuit built in.

As for this clamp circuit, there is effectiveness to control the surge voltage on collector at high current turn off, but the surge voltage may go over the maximum rating of collector voltage depending on the condition of use. Therefore please confirm it in the actual machine evaluation.

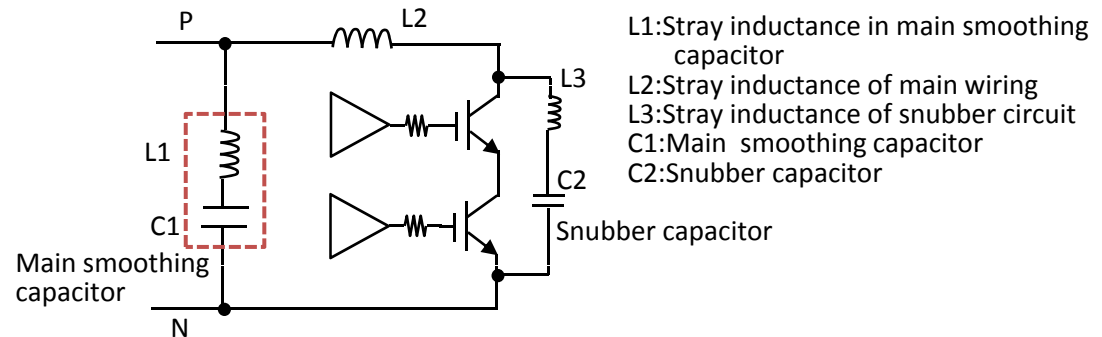
Finally each parameter must be the following relation. Please keep this condition.

$$VDC_Link < Vosc_peak < Vz < Voff_surge$$



The next countermeasures are effective to suppress the rise and oscillation of the collector voltage.

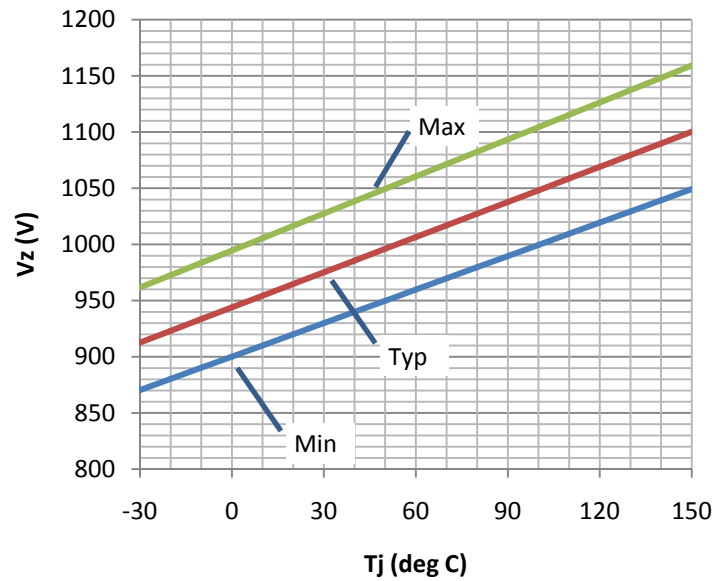
- (1) Reducing the value of L1,L2 and L3
- (2) Increasing the value of C2
- (3) Increasing the resistance of gate resistor
- (4) Limiting maximum collector current
- (5) Reducing the VDC_Link



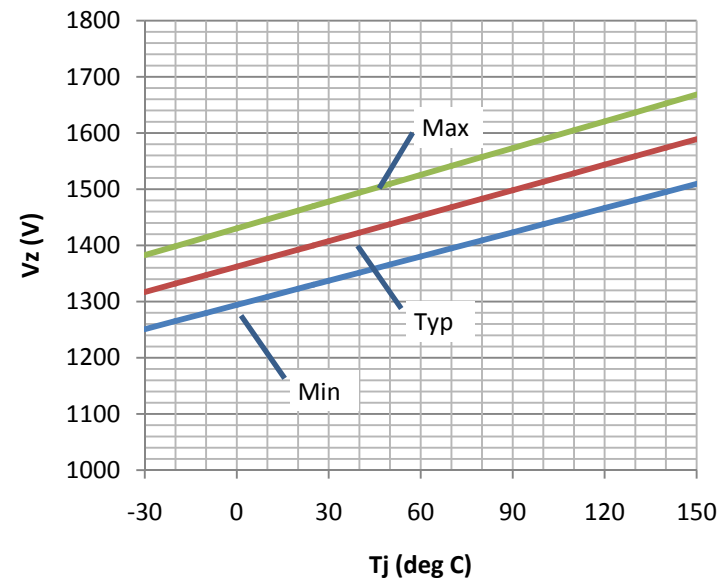
Note about collector clamp circuit (2)

The total zener voltage in the collector clamp circuit has the tolerance and fluctuation by temperature such as the following chart.
Please keep the main circuit so that the DC_Link voltage does not exceed this zener voltage.

Total zener voltage characteristic of VLA559-01R



Total zener voltage characteristic of VLA559-02R



Note about collector clamp circuit (3)

When the collector clamp circuit operates repeatedly, it may be destroyed for heat. Therefore please keep it to work non-consecutively.

Capacity for power supply on input side

This product has isolated DCDC converter built in for gate drive.
 When you chose the power supply on input side,
 please select the product that can supply the current capacity proven
 by next 3steps.

1st step : Calculation for gate average current

$$I_{drive} = (Q1 + |Q2|) \times f$$

I_{drive} : Gate average current

Q1 : Gate charge at +15V (Read from data sheet of IGBT)

Q2 : Gate charge at -7V (Read from data sheet of IGBT)

f : Switching frequency of IGBT

2nd step : Reading required current from performance curve

If the result of calculation for I_{drive} is 100mA

I_D is about 270mA by performance curve.

I_D : Consumption current of DCDC converter in this unit (per 1 circuit)

3rd step : Securing the margin

$$I_{out} = I_D \times n \times (1 + \text{margin})$$

I_{out} : Output current of input power supply

n : element number (in this case n=2 , this unit has 2 elements)

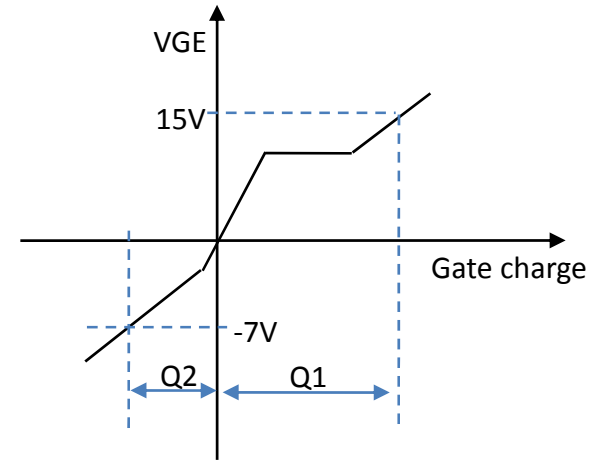
Margin : 0.4

If the result of I_D is 270mA, please prepare the power supply
 that has the following spec.

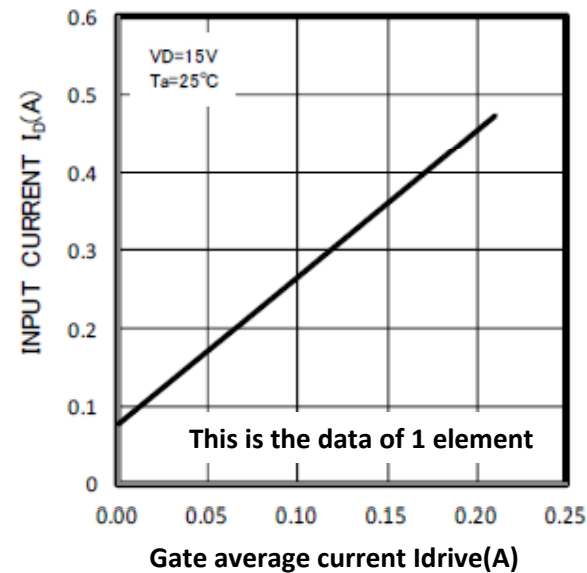
Output voltage : 15V

Output current : more than 756mA

Gate charge characteristic of IGBT



ID – Idrive performance curve (Typical)



About mounting gate resistor

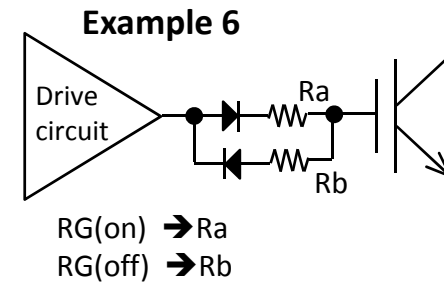
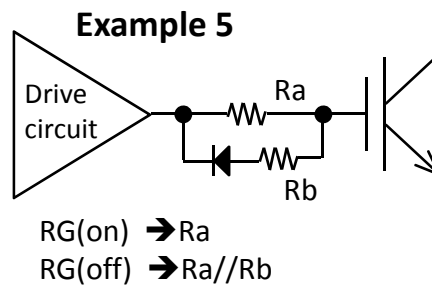
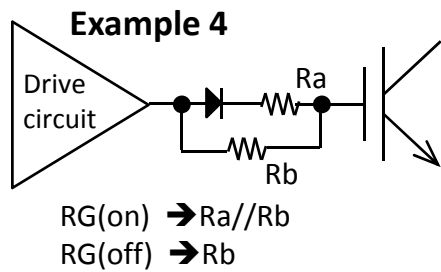
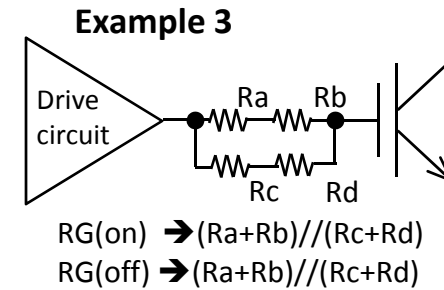
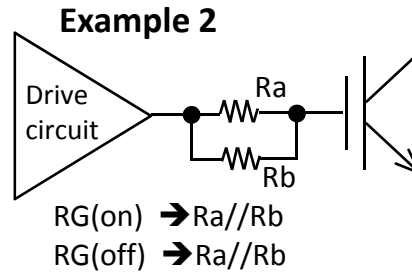
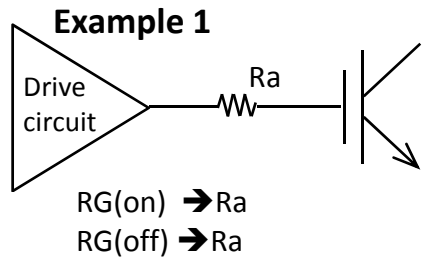
It is possible to install up to 4 resistors for 1 element in mount area of gate resistor.

And there are some variations by combining resistor with SBD.

There are some examples in the following chart, please refer to it and set the gate resistor.



Mount area of gate resistor



Details of connector

CN1 : 3662-6002LC (3M)			
Pin N.o.	Signal	Pin N.o.	Signal
1	VD	7	FO2
2	GND	8	FO1
3	IN2+	9	GND
4	IN1+	10	GND
5	IN2-		
6	IN1-		

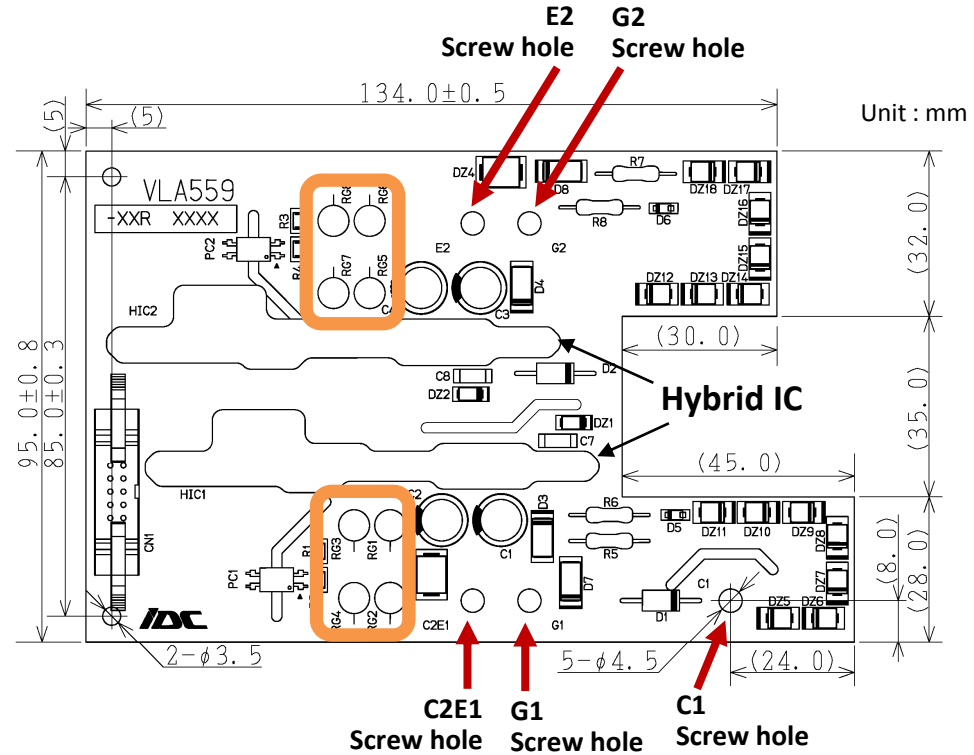
We recommend following parts or equivalent product for flat cable

Socket connector	Strain relief	Maker
7910-6500	3448-7910	3M

Outline & Size

Note

- 1) The screw hole fits to the screw hole position of 2MBI1000VXB-170E-50.
- 2) There is not Gate Resistors at the initial state. So please solder the chosen resistor.

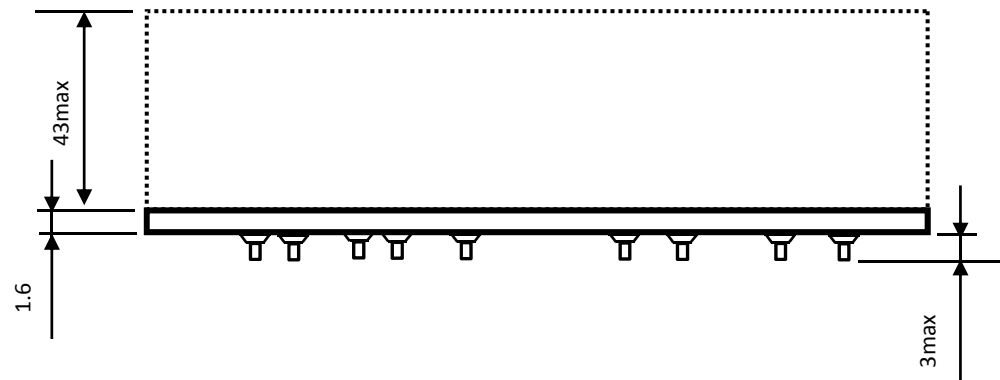


: Gate resistor mount part (Initial is open)

Clearance & Crepage

< On mother board > Clearance
 Input side - Output side → 8.0 mm
 Creepage 8.0 mm

< In Hybrid IC >
 Input side - Output side → 8.0 mm
 Creepage 8.0 mm



This is just a Image photo

Sales office and window of request



- Head Office
6-41 Tsukuba, Isahaya, Nagasaki, 854-0065, Japan
TEL (0957)26-3592 FAX (0957)26-5257
- Osaka Branch Office
Osaka-godou Bldg. 1-5 Doyama, Kita-ku, Osaka, Osaka,
530-0027, Japan
TEL (06)4709-7218 FAX(06)4709-7359
- Hong Kong / IESA (covers China)
TEL 852-2570-2238 FAX 852-2570-5438
- Singapore / IESS (covers South East Asia and India)
TEL 65-6227-7714 FAX 65-6227-7716
- U.S.A Office (covers North America, South America and Europe)
TEL 1-858-598-6793 FAX 1-858-598-6840
e-mail : shinobu.takeoi@iesa.com.hk (Ms. Shinobu Takeoi)

Keep safety first in your circuit designs!

·ISAHAYA Electronics Corporation puts the maximum effort into making semiconductor products better and more reliable, but there is always the possibility that trouble may occur with them. Trouble with semiconductors may lead to personal injury, fire or property damage. Remember to give due consideration to safety when making your circuit designs, with appropriate measures such as (1) placement of substitutive, auxiliary circuits, (2) use of non-flammable material or (3) prevention against any malfunction or mishap.

Notes regarding these materials

- These materials are intended as a reference to our customers in the selection of the ISAHAYA products best suited to the customer's application; they don't convey any license under any intellectual property rights, or any other rights, belonging to ISAHAYA or third party.
- ISAHAYA Electronics Corporation assumes no responsibility for any damage, or infringement of any third party's rights, originating in the use of any product data, diagrams, charts or circuit application examples contained in these materials.
- All information contained in these materials, including product data, diagrams and charts, represent information on products at the time of publication of these materials, and are subject to change by ISAHAYA Electronics Corporation without notice due to product improvements or other reasons. It is therefore recommended that customers contact ISAHAYA Electronics Corporation or an authorized ISAHAYA products distributor for the latest product information before purchasing product listed herein.
- ISAHAYA Electronics Corporation products are not designed or manufactured for use in a device or system that is used under circumstances in which human life is potentially at stake. Please contact ISAHAYA Electronics Corporation or an authorized ISAHAYA products distributor when considering the use of a product contained herein for any specific purposes, such as apparatus or systems for transportation, vehicular, medical, aerospace, nuclear, or undersea repeater use.
- The prior written approval of ISAHAYA Electronics Corporation is necessary to reprint or reproduce in whole or in part these materials.
- If these products or technologies are subject to the Japanese export control restrictions, they must be exported under a license from the Japanese government and cannot be imported into a country other than the approved destination. Any diversion or re-export contrary to the export control laws and regulations of Japan and/or the country of destination is prohibited.
- Please contact ISAHAYA Electronics Corporation or authorized ISAHAYA products distributor for further details on these materials or the products contained therein.